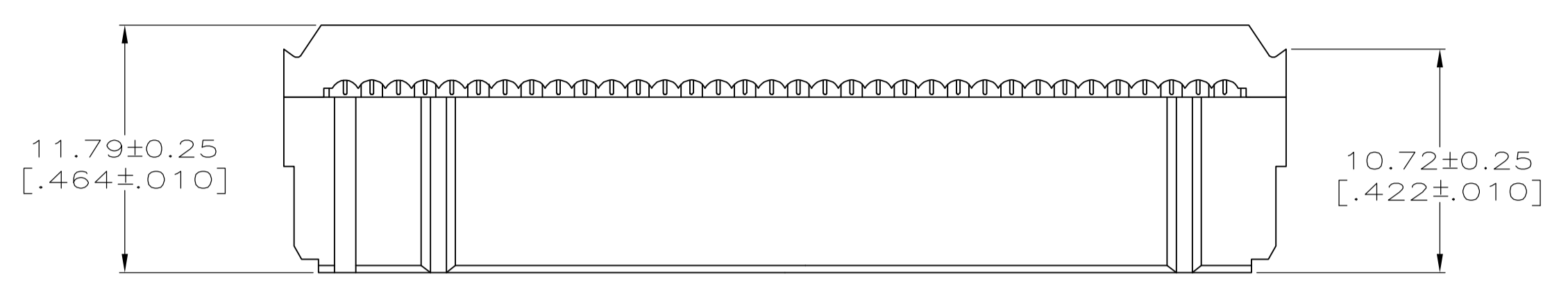
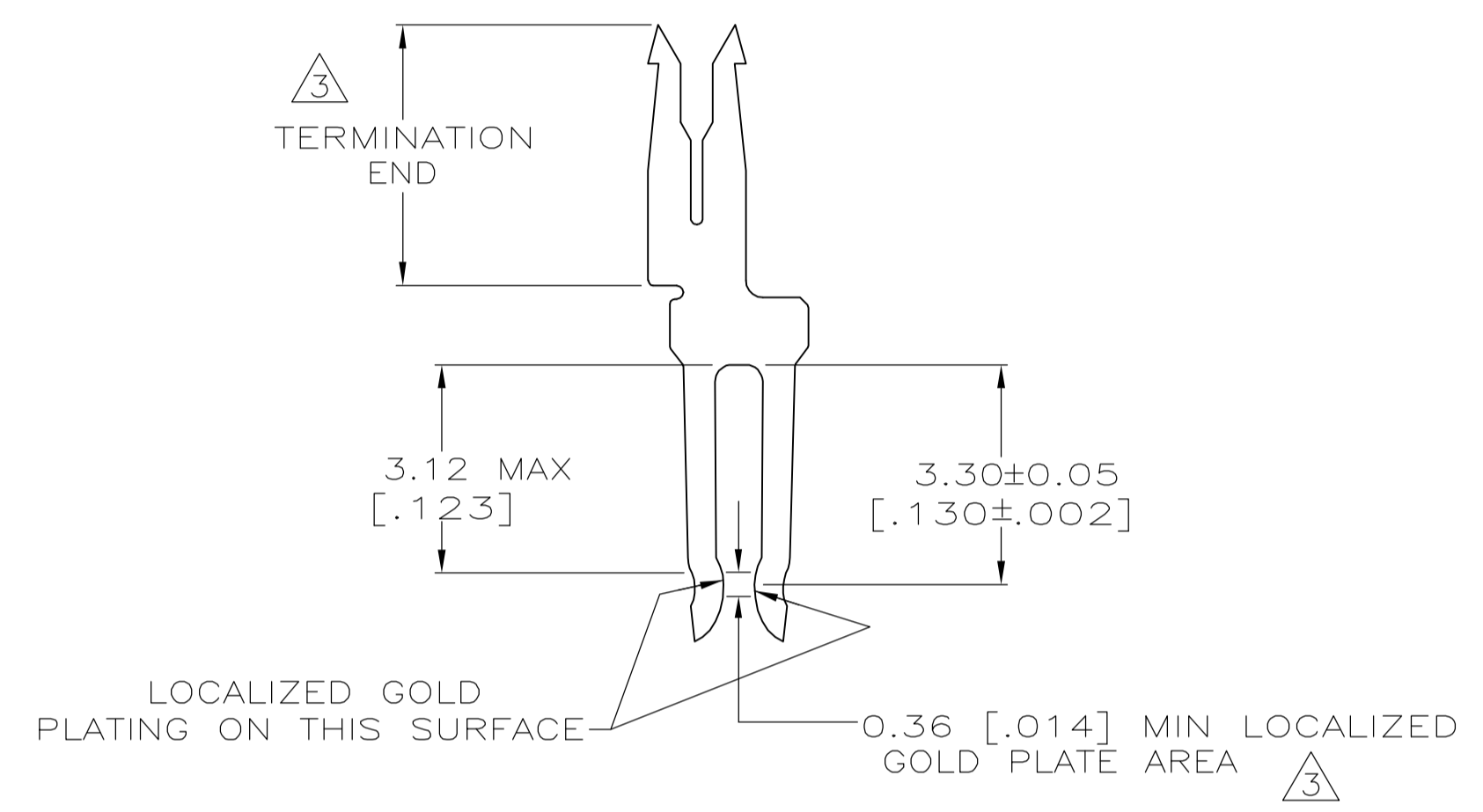
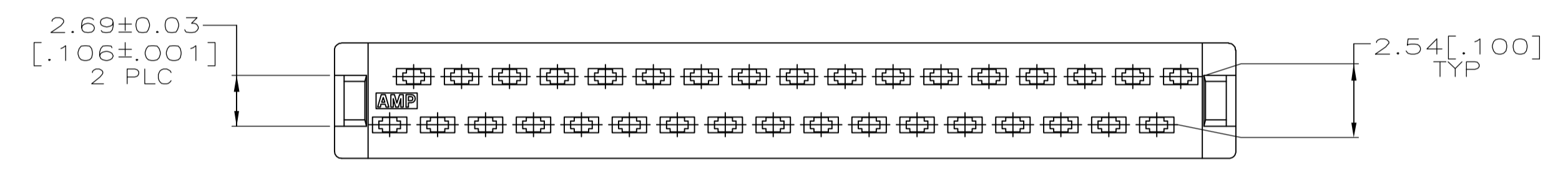


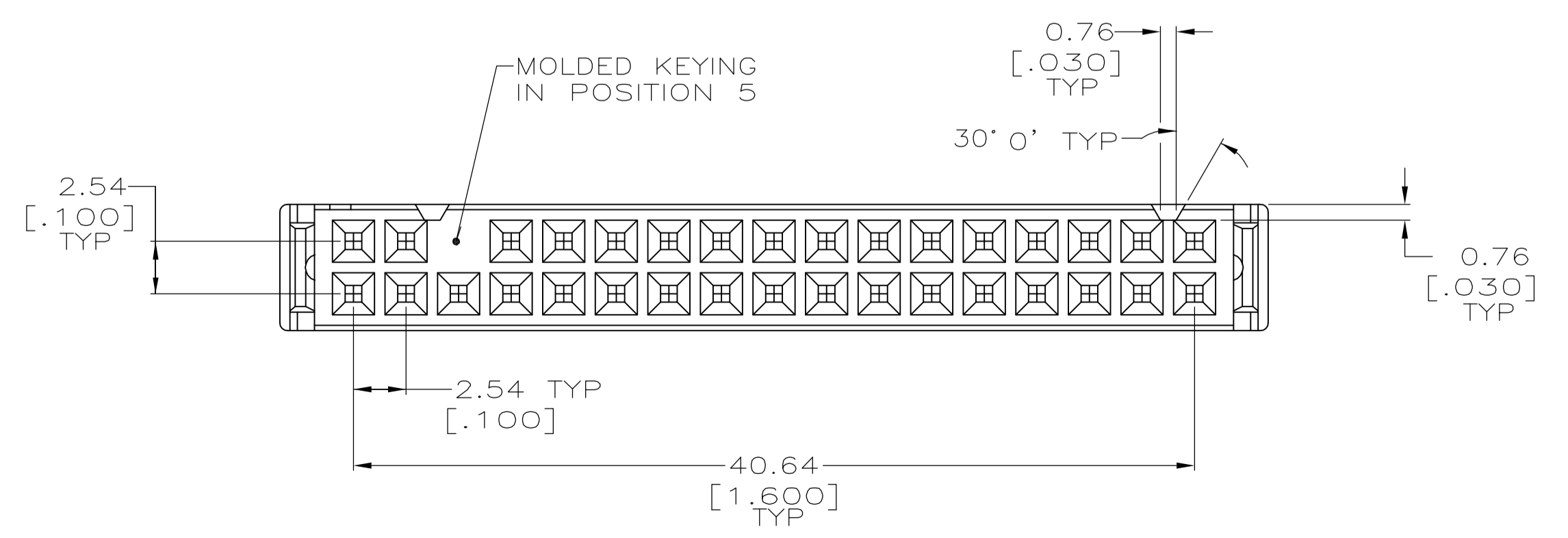
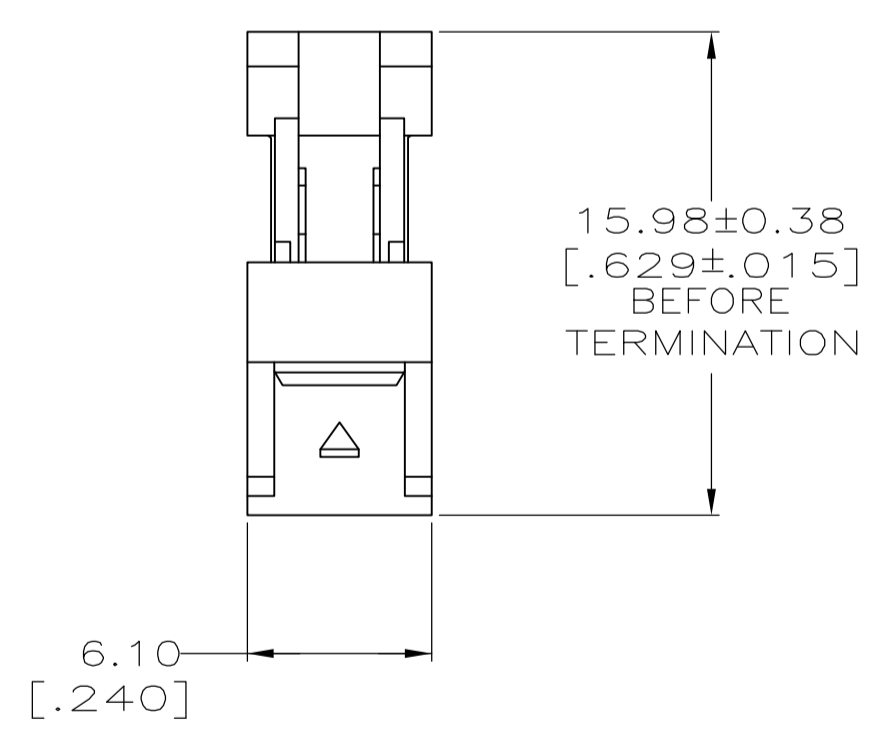
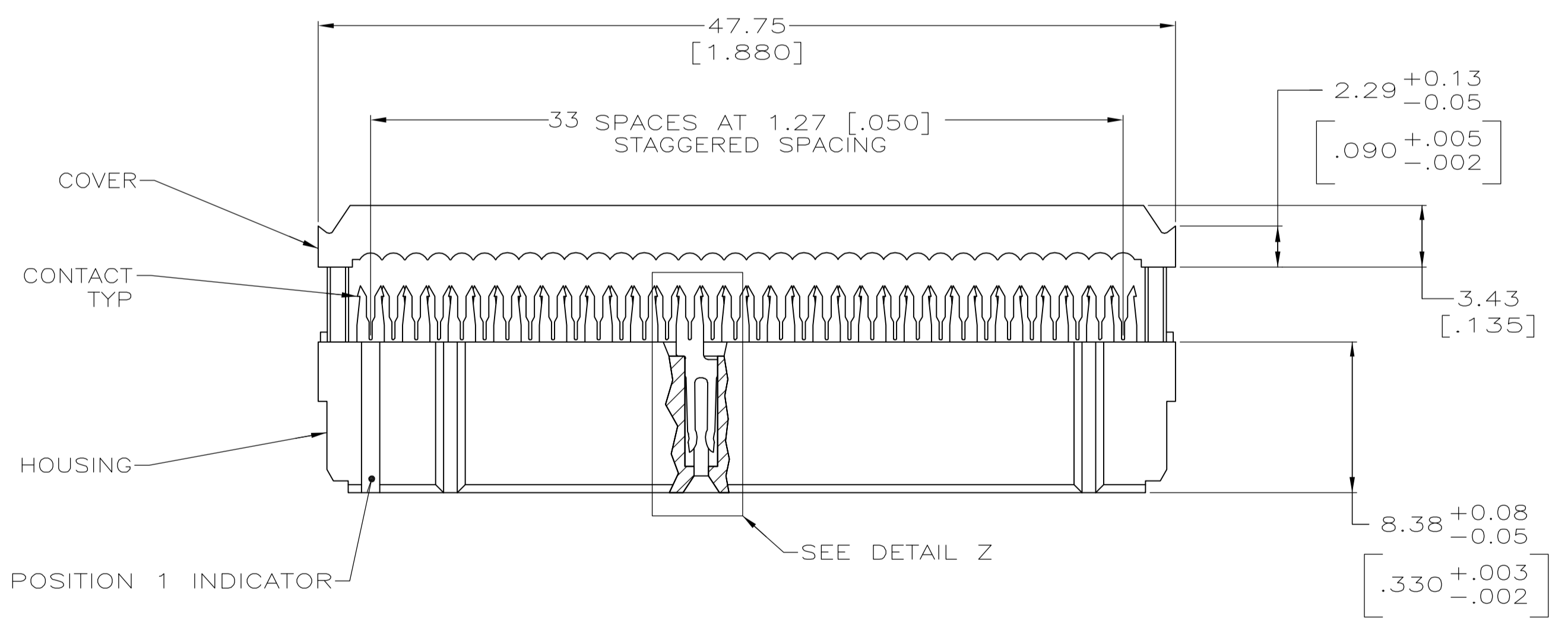
- △ POLYESTER, BLACK, UL RATED 94V-0.
- △ PHOSPHOR BRONZE PER QQ-B-750.
- △ 0.38μm [.000015] MIN GOLD ON LOCALIZED GOLD PLATE AREA,
1.27μm [.000050] MIN TIN ON TERMINATION END, ALL
OVER 1.27μm [.000050] MIN NICKEL ON ENTIRE CONTACT.



TERMINATED VIEW



DETAIL Z
SCALE 10:1
TYPICAL



34	5111830-8
NO OF POSN	PART NUMBER

THIS DRAWING IS A CONTROLLED DOCUMENT.		DWG NO: MCMAS ¹ TER 10JUNE04		Tyco Electronics Corporation Harrisburg, PA 17105-3608	
DIMENSIONS: mm [INCHES]		CHK: C. ROHDE 10JUNE04		APVD: M. WALMSLEY 10JUNE04	NAME: RECEPTACLE, FULL COVER, MILITARY POLARIZATION, NOVO, AMP-LATCH
TOLERANCES UNLESS OTHERWISE SPECIFIED:		PRODUCT SPEC: 108-40000		APPLICATION SPEC: 114-40005	
0 PLC ± -		SIZE: A1		CAGE CODE: 00779	
1 PLC ± -		DRAWING NO: 5111830		RESTRICTED TO: -	
2 PLC ± 0.13 [.005]		SCALE: 4:1		SHEET: 1 OF 1	
3 PLC ± -		REV: A		REV: A	
4 PLC ± -		CUSTOMER DRAWING		REV: A	
ANGLES ± 0.30°					
MATERIAL MOLDED PARTS: △					
CONTACTS: △					